

Features and Benefits



- ▣ Stylish contemporary design.
- ▣ Suitable for sash upstands of 14-24mm.
- ▣ Concealed security fixing of sash part cover protects lateral adjustment mechanism and sash fixings.
- ▣ 80kg sash weight (2 hinges)
- ▣ Hinge jigs available on request.
- ▣ Patented interchangeable bushes avoids need for large unsightly frame packers.
- ▣ Comprehensive range of finishes including, White, Gold, Polished Chrome, Dark Brown, Light Brown and Black.
- ▣ Available in any RAL colour under special order.
- ▣ 10 year mechanical guarantee
- ▣ BSEN ISO 9001/2015 Quality Management System.

Technical Information

Material Specification

High quality zinc die cast construction with stainless steel pin.

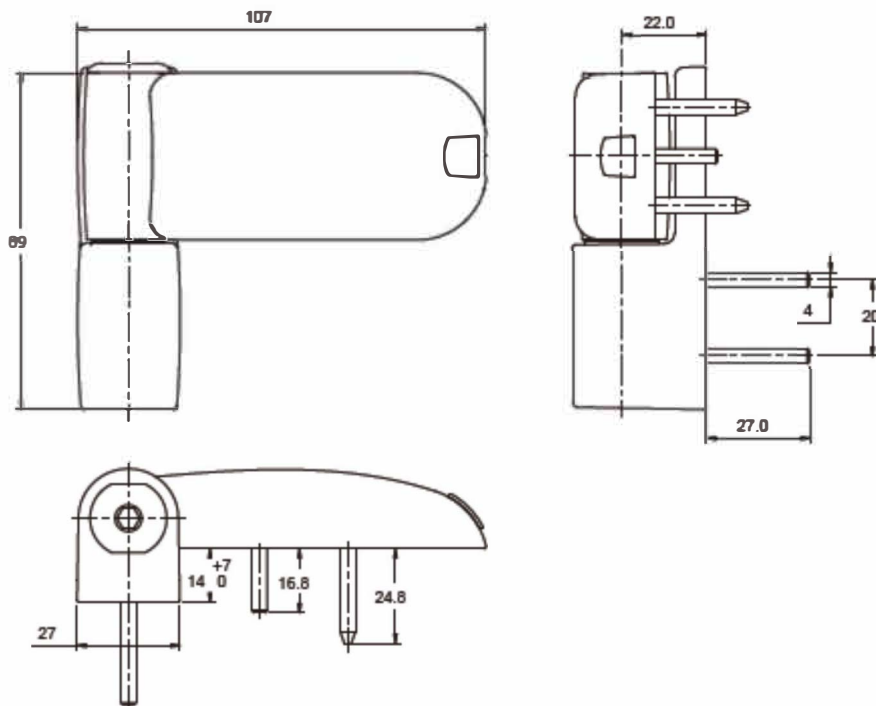
Additional Information

Box Qty: 30 pcs per box

WINLOCK

Unit B, Hortonwood 31, Telford, Shropshire, TF1 7GS
Tel:01952 602250 Fax:01952 602255.
Email:sales@winlock.co.uk Web:www.winlock.co.uk

Technical Drawing



Part Numbers

Part No.	Description	Finish
DHI-IMP3DWH	Imperial 3D Flag Hinge	White
DHI-IMP3DGO	Imperial 3D Flag Hinge	Gold
DHI-IMP3DCH	Imperial 3D Flag Hinge	Polished Chrome
DHI-IMP3DDB	Imperial 3D Flag Hinge	Dark Brown
DHI-IMP3DLB	Imperial 3D Flag Hinge	Light Brown
DHI-IMP3DBL	Imperial 3D Flag Hinge	Black

WINLOCK

Unit B, Hortonwood 31, Telford, Shropshire, TF1 7GS

Tel:01952 602250 Fax:01952 602255.

Email:sales@winlock.co.uk Web:www.winlock.co.uk