

Features and Benefits



- ▣ Available in both left and right hand.
- ▣ Easy to fit with no routing required.
- ▣ The restrictor catch automatically resets when the window is closed.
- ▣ Pin height 10.5mm & 11.5mm.
- ▣ Suitable for outwards and inwards opening windows.
- ▣ Gives a maximum of 50mm opening providing an element of ventilation and child safety.
- ▣ BSEN ISO 9001/2015 Quality Management System.

Technical Information

Material Specification
400 Series stainless steel

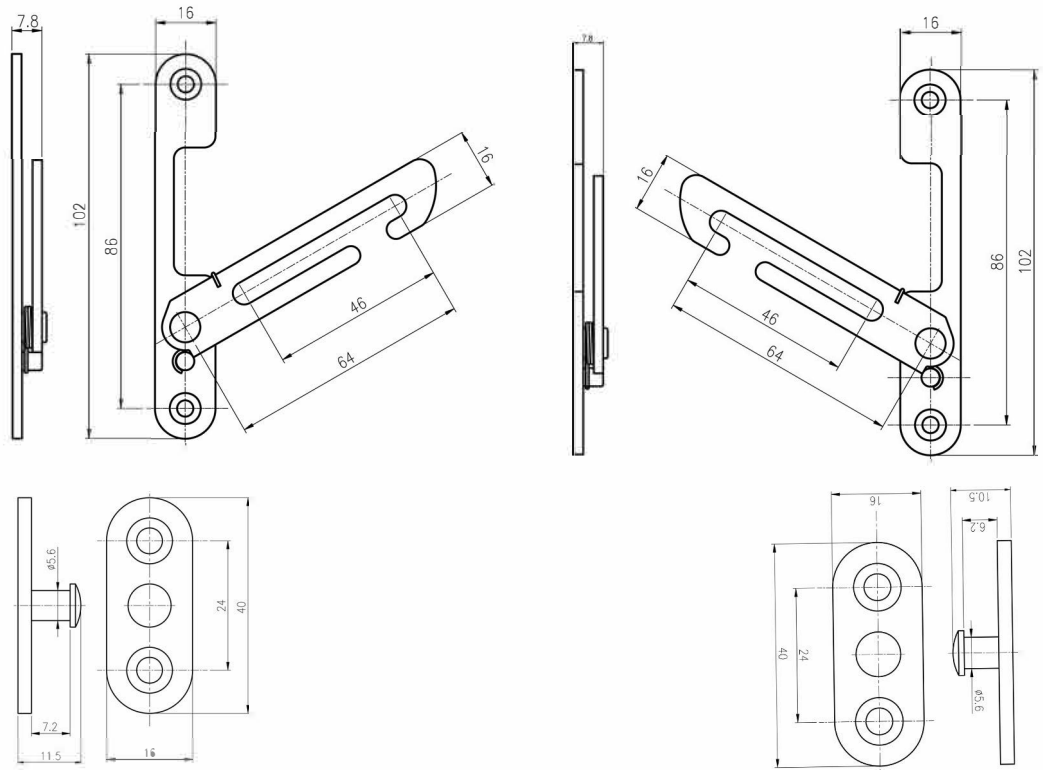
Additional Information
Box Qty: 50 pcs per box

WINLOCK

Unit B, Hortonwood 31, Telford, Shropshire, TF1 7GS
Tel:01952 602250 Fax:01952 602255.
Email:sales@winlock.co.uk Web:www.winlock.co.uk

Autolatch RestriCTOR

Technical Drawing



Part Numbers

Part No.	Description	Finish
WRIMPAUTLATCH/LH	Concealed Restictor Catch Left Hand	Ferretic
WRIMPAUTLATCH/RH	Concealed Restictor Catch Right Hand	Ferretic
WRIMPSTUD/10.5	Restrictor Stud 10.5mm	Ferretic
WRIMPSTUD/11.5	Restrictor Stud 11.5mm	Ferretic

WINLOCK

Unit B, Hortonwood 31, Telford, Shropshire, TF1 7GS
 Tel:01952 602250 Fax:01952 602255.

Email:sales@winlock.co.uk Web:www.winlock.co.uk

Window
 &
 Door
 Hardware
 Solutions