

## Features and Benefits



- ▣ A exciting suited Tilt & Turn handle to compliment the Bombardier range of window and door handles.
- ▣ Lockable in all positions to enhance window safety and security.
- ▣ BBA Accredited.
- ▣ Positive handle engagement in all positions.
- ▣ Engineered with a firm grip.
- ▣ Handle can be used on both TBT and TNT applications.
- ▣ Available in locking and non-locking variants.
- ▣ Comprehensive range of finishes including White, Black, Bright Chrome, Gold, Satin Chrome, Brushed Stainless Steel.
- ▣ Available in any RAL colours under special order.
- ▣ BS EN ISO 9001/2015 Quality Management System. ▣ Manufactured in the UK.

### Technical Information

#### Material Specification

Handle/Backplate: Zinc Alloy to BS EN 12844 [ZP3].

Barrel Assembly: Zinc Alloy to BS EN 12844 [ZP3].

Zinc plate & Trivalent Passivate.

Key: Mild Steel to BS970 220 - Finish Nickle Plate.

Spindle: Mild Steel to BS 970 220 - Finish Zinc Plate & Trivalent Passivate.

Moulding Polypropylene -  
Finish White RAL 9016, Grey RAL 9037,  
Black RAL 9005 & Green UN6969.

#### Assessment Data

Performance: 50,000 endurance cycles.

Corrosion resistance: NSS 240 Hour.

#### Additional Information

**Box Qty:** 25 per box.

**Accessories:** Screw Cover and 1 Key  
(If applicable).

Individually packed in poly bags with screws.

# WINLOCK

Unit B, Hortonwood 31, Telford, Shropshire TF17GS

Tel: 01952 602250 Fax: 01952 602255

Email: [sales@winlock.co.uk](mailto:sales@winlock.co.uk)

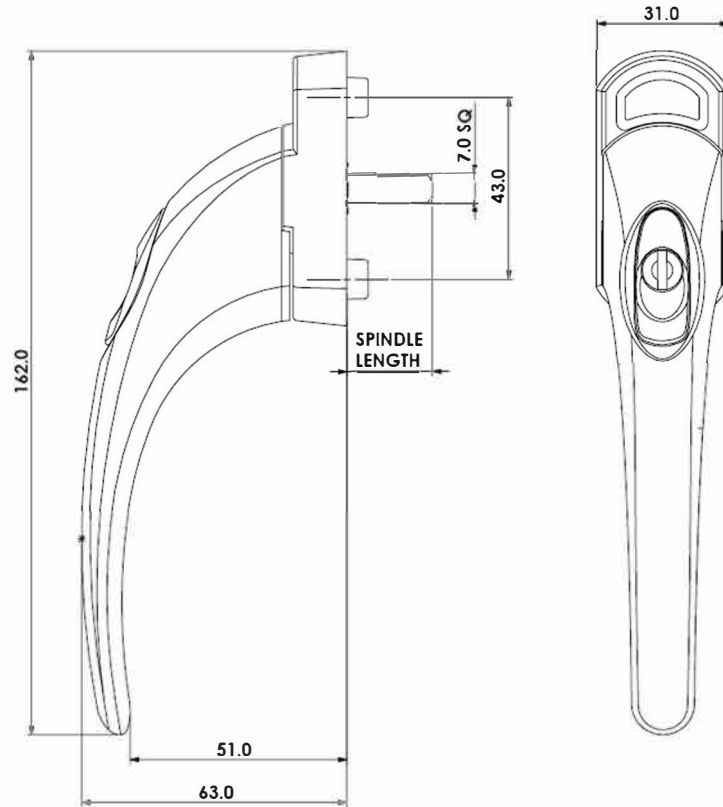
Web: [www.winlock.co.uk](http://www.winlock.co.uk)

# Bombardier TBT & TNT

Window  
&  
Door  
Hardware  
Solutions



## Technical Drawing



### Part Numbers

Part No.	Description	Finish
WHB2101/**	Bombardier Tilt Before Turn In-Line Locking	White
WHB1101/**	Bombardier Tilt And Turn In-Line Locking	White
WHB1001/**	Bombardier Tilt And Turn In-Line Non-Locking	White
WHB21045/**	Bombardier Tilt Before Turn In-Line Locking	Bright Chrome
WHB11045/**	Bombardier Tilt And Turn In-Line Locking	Bright Chrome
WHB10045/**	Bombardier Tilt And Turn In-Line Non-Locking	Bright Chrome

Please Note: Spindle Lengths from 08mm to 65mm.

# WINLOCK

Unit B, Hortonwood 31, Telford, Shropshire, TF1 7GS  
 Tel:01952 602250 Fax:01952 602255.

Email:sales@winlock.co.uk Web:www.winlock.co.uk