

Features and Benefits



- ▣ An exciting suite of window handles to compliment the Bombardier range.
- ▣ BBA accredited.
- ▣ Profile specific spindle lengths and screws.
- ▣ Push to open mechanism.
- ▣ Available in locking and non-locking variants.
- ▣ Green button available for fire egress applications.
- ▣ Spindle 7mm square, 10, 15, 20, 25, 30, 35, 43 & 50mm lengths available.
- ▣ Comprehensive range of finishes including White, Black, Bright Chrome, Gold, Satin Chrome, Brushed stainless steel and unique RAL colours to order.
- ▣ BS EN ISO 9001/2015 Quality Management System. ▣ Manufactured in the UK.

Technical Information

Material Specification

Handle/Backplate: Zinc Alloy to BS EN 12844 [ZP3].

Barrel Assembly: Zinc Alloy to BS EN 12844 [ZP3].

Zinc plate & Trivalent Passivate.

Key: Mild Steel to BS970 220 - Finish Nickel Plate.

Spindle: 7mm Square Mild Steel to BS 970 220

Finish Zinc Plate & Trivalent Passivate.

Moulding Polypropylene - Finish White RAL 9016, Grey RAL 9037, Black RAL 9005 & Green UN6969.

Additional Information

Box Qty: 25 per box.

Accessories: Screw Cover and 1 Key (If applicable).

Assessment Data

Performance: BBA Approved.

Corrosion resistance: Grade 4 BS EN NSS 240 Hour.

WINLOCK

Unit B, Hortonwood 31, Telford, Shropshire TF17GS

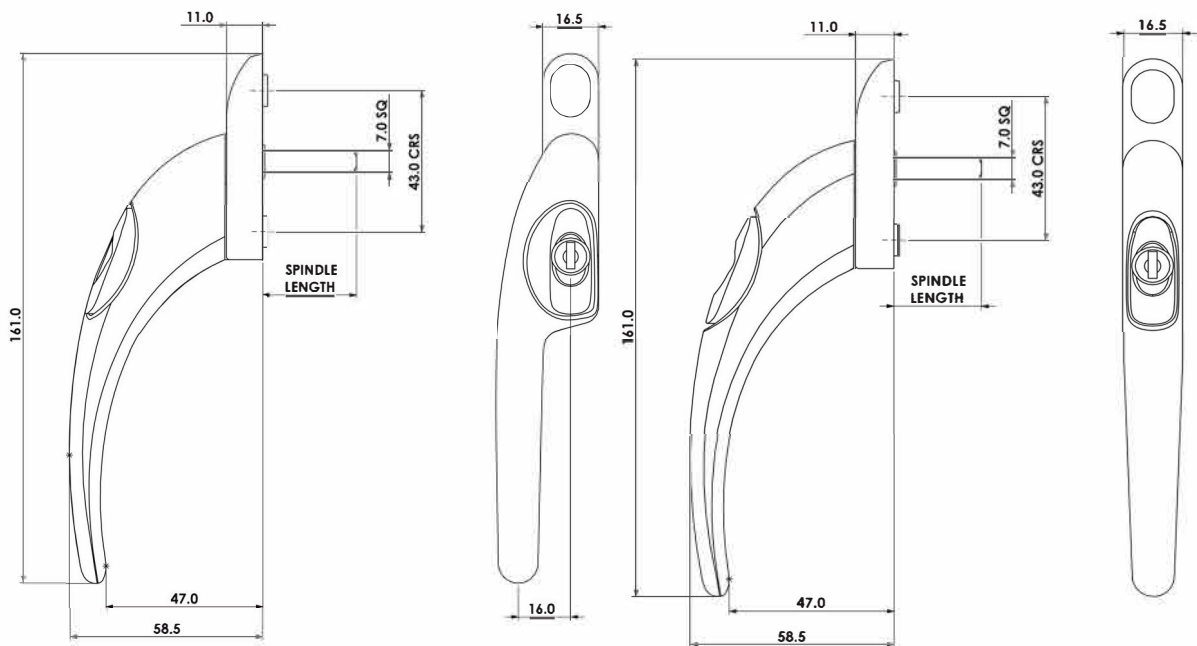
Tel: 01952 602250 Fax: 01952 602255

Email: sales@winlock.co.uk

Web: www.winlock.co.uk



Technical Drawing



Part Numbers

Part Code	Description	Finish
WWHBEA101/**	Bombardier Inline Locking Handle	White
WWHBEA103/**	Bombardier Inline Locking Handle	Satin Chrome
WWHBEA1033/**	Bombardier Inline Locking Handle	F1 Silver
WWHBEA1037/**	Bombardier Inline Locking Handle	Gold
WWHBEA1038/**	Bombardier Inline Locking Handle	Black
WWHBEA1045/**	Bombardier Inline Locking Handle	Bright Chrome

Available in Non-Locking and Non-Locking Green Button.



Unit B, Hortonwood 31, Telford, Shropshire TF17GS
 Tel: 01952 602250 Fax: 01952 602255
 Email: sales@winlock.co.uk
 Web: www.winlock.co.uk