

Caseament Hinge Protector

Window
&
Door
Hardware
Solutions

Features and Benefits



- ▣ A secure solution to window offering egress and easy clean external access without affecting the opening and closing performance of the hinge.
- ▣ Conforms to BS7950, when used with standard friction stays.
- ▣ Hinge protector suitable for all casement windows.
- ▣ Can be retrofitted on-site to enhance the hinge side security.
- ▣ Available in 13mm & 17mm stack height.
- ▣ Recommended you fit a pair next to each hinge.
- ▣ No routing or prep work required.
- ▣ No maintenance required.
- ▣ Compatible with standard fixings, countersunk and pan head.
- ▣ Only Stainless Steel Hinge protector on the market.
- ▣ BS EN ISO 9001/2015 Quality Management System.

Technical Information

Material Specification
400 Series stainless steel.

Additional Information
Box Qty: 50
1 set of 4 per opening vent.

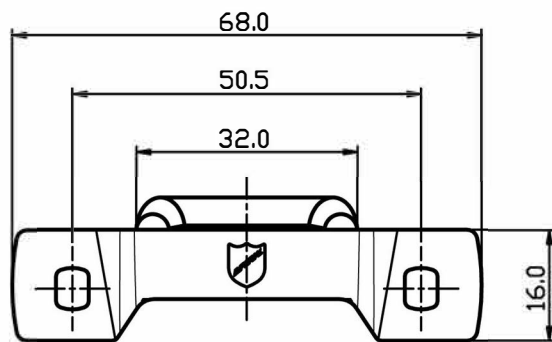
WINLOCK

Unit B, Hortonwood 31, Telford, Shropshire, TF1 7GS
Tel:01952 602250 Fax:01952 602255.
Email:sales@winlock.co.uk Web:www.winlock.co.uk

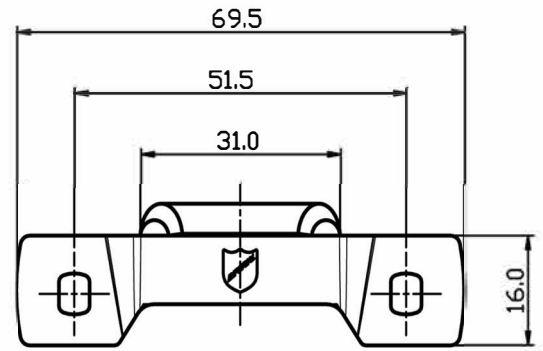
Caseмент Hinge Protector

Technical Drawing

Caseмент Hinge Protector
High



Caseмент Hinge Protector
Low



Part Numbers

Part No.	Description	Finish
FS-HINPROTSSHIGH	17mm Stack Height	Stainless Steel
FS-HINPROTSSLOW	13mm Stack Height	Stainless Steel

WINLOCK

Unit B, Hortonwood 31, Telford, Shropshire, TF1 7GS
Tel:01952 602250 Fax:01952 602255.

Email:sales@winlock.co.uk Web:www.winlock.co.uk

Window
&
Door
Hardware
Solutions