

Features and Benefits



- ▣ No Cropping, simple to install.
- ▣ Twin adjustable mushroom cams.
- ▣ 62mm Robust unhandled die-cast gearbox.
- ▣ Fits most Eurogroove applications.
- ▣ Profile related keeps with night vent facility - Steel tops - Handed LH/RH.
- ▣ 20mm & 22mm Backset.
- ▣ 7.7mm and 9.5mm Cam height.
- ▣ Bar sizes from 280mm to 1400mm.
- ▣ Unidirectional twin locking.
- ▣ BSEN ISO 9001/2015 Quality Management System.

Technical Information

Bar Length (mm)	No. Fixing Points	No. Cams	No. Keeps
280	3	2	1
400	6	4	2
600	8	4	2
800	10	6	3
1000	10	6	3
1200	10	6	3
1400	12	8	4



Assessment Data

Performance: Tested to 100,000 cycles.

Corrosion resistance: Minimum of 240 hours salt spray testing, exceeding the requirements of BS7412 Grade 4.

Designed to meet BS7950 test criteria.

Additional Information

Box Qty: 20.

Accessories: Keeps to be purchased separately.

WINLOCK

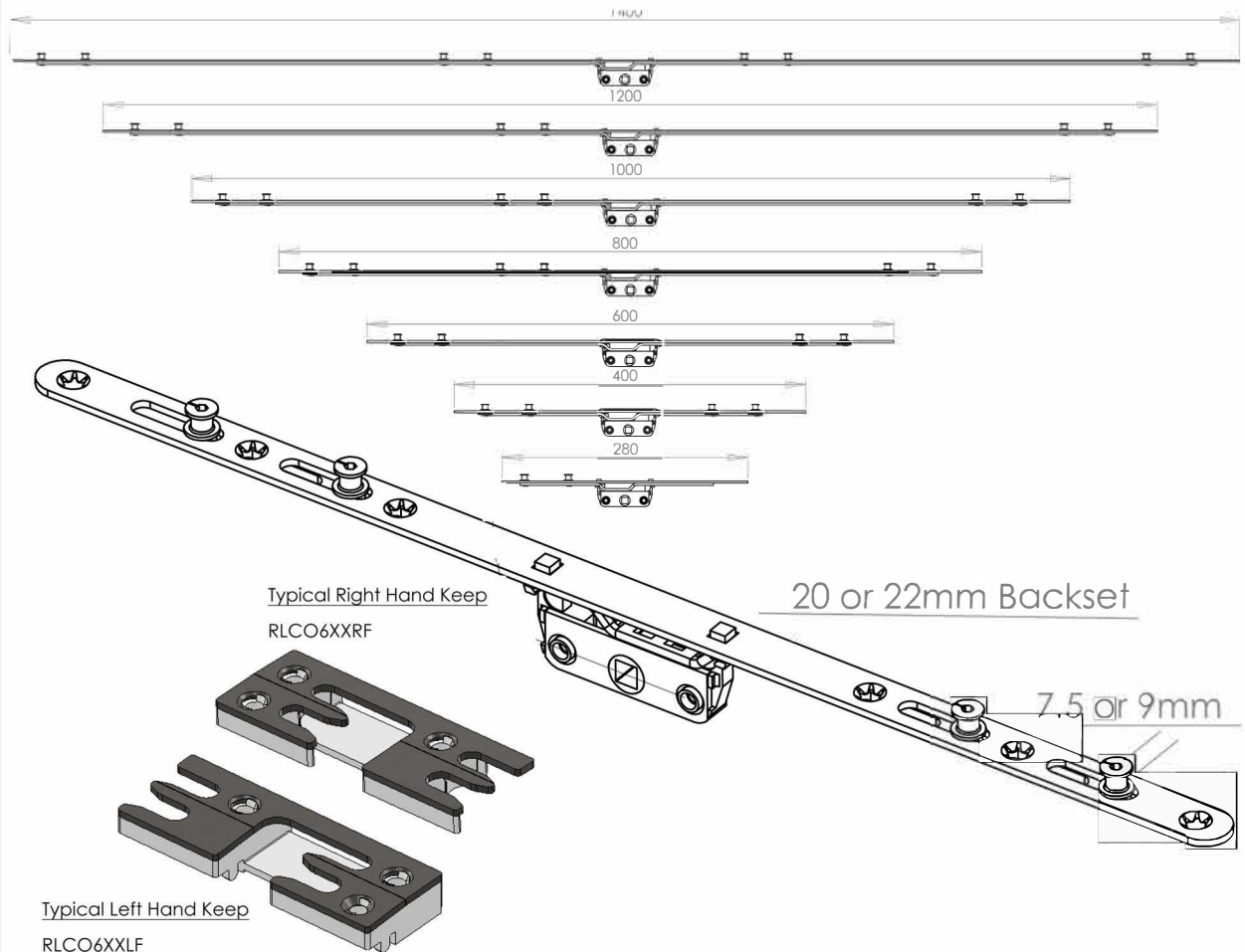
Unit B, Hortonwood 31, Telford, Shropshire, TF1 7GS

Tel:01952 602250 Fax:01952 602255.

Email:sales@winlock.co.uk Web:www.winlock.co.uk

Interceptor Espag Gear

Technical Drawing



Part No.	Description	Finish
WLS-SI280227	Interceptor Window Locking System 280mm, 22mm B/Set, 7.5mm Cam	Silver
WLS-SI400227	Interceptor Window Locking System 400mm, 22mm B/Set, 7.5mm Cam	Silver
WLS-SI600227	Interceptor Window Locking System 600mm, 22mm B/Set, 7.5mm Cam	Silver
WLS-SI800227	Interceptor Window Locking System 800mm, 22mm B/Set, 7.5mm Cam	Silver
WLS-SI1000227	Interceptor Window Locking System 1000mm, 22mm B/Set, 7.5mm Cam	Silver
WLS-SI1200227	Interceptor Window Locking System 1200mm, 22mm B/Set, 7.5mm Cam	Silver
WLS-SI1400227	Interceptor Window Locking System 1400mm, 22mm B/set, 7.5mm Cam	Silver
WLS-SI280209	Interceptor Window Locking System 280mm 20mm B/set 9mm Cam	Silver
WLS-SI400209	Interceptor Window Locking System 400mm 20mm B/Set 9mm Cam	Silver
WLS-SI600209	Interceptor Window Locking System 600mm 20mm B/Set 9mm Cam	Silver
WLS-SI800209	Interceptor Window Locking System 800mm 20mm B/Set 9mm Cam	Silver
WLS-SI1000209	Interceptor Window Locking System 1000mm 20mm B/Set 9mm Cam	Silver
WLS-SI1200209	Interceptor Window Locking System 1200mm 20mm B/Set 9mm Cam	Silver
WLS-SI1400209	Interceptor Window Locking System 1400mm 20mm B/Set 9mm Cam	Silver
WLS-SI1000229	Interceptor Window Locking System 1000mm, 22mm B/Set 9mm Cam	Silver
WLS-SI1200229	Interceptor Window Locking System 1200mm, 22mm B/Set 9mm Cam	Silver
WLS-SI1400229	Interceptor Window Locking System 1400mm, 22mm B/Set 9mm Cam	Silver
WLS-SI280229	Interceptor Window Locking System 280mm, 22mm B/Set 9mm Cam	Silver
WLS-SI400229	Interceptor Window Locking System 400mm, 22mm B/Set 9mm Cam	Silver
WLS-SI600229	Interceptor Window Locking System 600mm, 22mm B/Set 9mm Cam	Silver
WLS-SI800229	Interceptor Window Locking System 800mm, 22mm B/Set 9mm Cam	Silver

WINLOCK

Unit B, Hortonwood 31, Telford, Shropshire, TF1 7GS
Tel:01952 602250 Fax:01952 602255.

Email:sales@winlock.co.uk Web:www.winlock.co.uk

Window
&
Door
Hardware
Solutions