

Features and Benefits



- ▣ An exciting suited Tilt & Turn handle to compliment the Mundial range of window handles.
 - ▣ Lockable in all positions to enhance window safety and security.
 - ▣ Positive handle engagement in all positions.
 - ▣ Engineered with a firm grip.
 - ▣ Handle can be used on both TBT and TNT applications.
 - ▣ Available in locking and non-locking variants.
 - ▣ Comprehensive range of finishes including White, Black, Bright Chrome, Gold, Satin Chrome, Brushed Stainless Steel.
 - ▣ Available in any RAL colours under special order. ▣
- BS EN ISO 9001/2015 Quality Management System. ▣
- Manufactured in the UK.

Technical Information

Material Specification

Handle/Backplate: Zinc Alloy to BS EN 12844

[ZP3].

Barrel Assembly: Zinc Alloy to BS EN 12844

[ZP3].

Zinc plate & Trivalent Passivate.

Key: Mild Steel to BS970 220 - Finish Nickel Plate.

Spindle: Mild Steel to BS 970 220 - Finish Zinc Plate & Trivalent Passivate.

Moulding Polypropylene -

Finish White RAL 9016, Grey RAL 9037,

Black RAL 9005 & Green UN6969.

Assessment Data

Performance: 50,000 endurance cycles.

Corrosion resistance: NSS 240 Hour.

Additional Information

Box Qty: 25 per box.

Accessories: Screw Cover and 1 Key (If applicable).

Individually packed in poly bags with screws.

WINLOCK

Unit B, Hortonwood 31, Telford, Shropshire TF17GS

Tel: 01952 602250 Fax: 01952 602255

Email: sales@winlock.co.uk

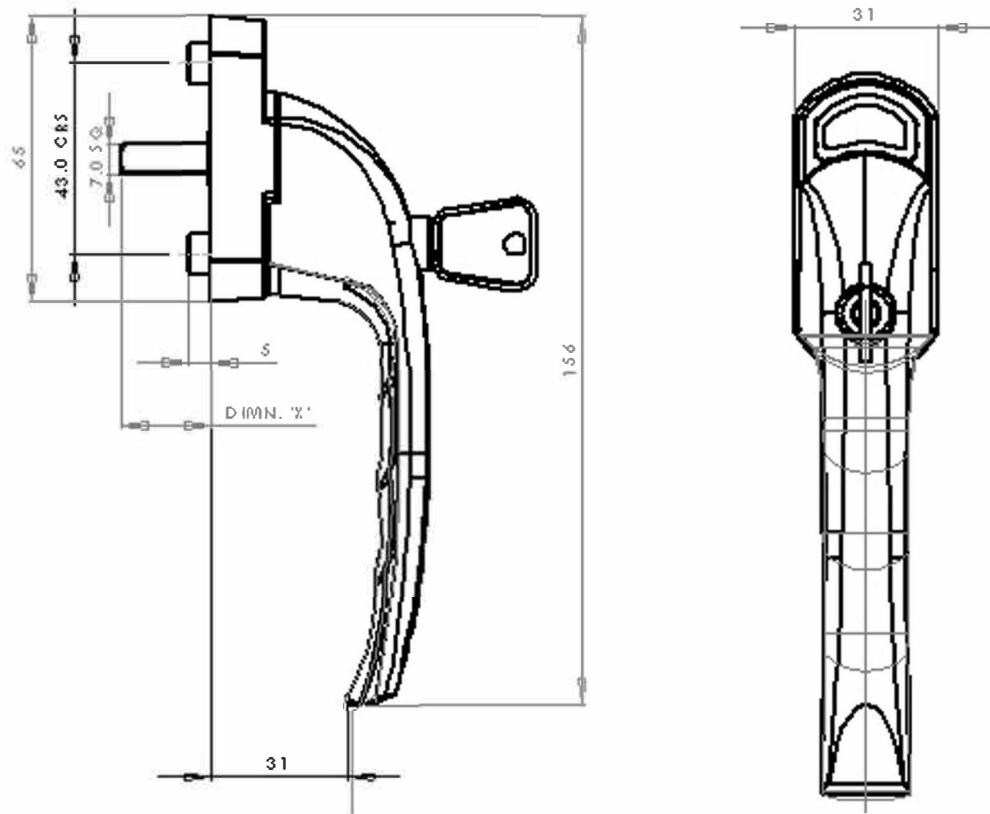
Web: www.winlock.co.uk

Mundial TBT & TNT

Window
&
Door
Hardware
Solutions



Technical Drawing



Part Numbers

Part No.	Description	Finish
0124001/**	Mundial Tilt Before Turn In-Line Locking	White
01240045/**	Mundial Tilt Before Turn In-Line Locking	Bright Chrome
01240086/**	Mundial Tilt Before Turn In-Line Locking	Brushed Stainless
0124005/**	Mundial Tilt Before Turn In-Line Locking	Gold
0124006/**	Mundial Tilt Before Turn In-Line Locking	Black

Please Note: Spindle Lengths from 08 mm to 65mm.

WINLOCK

Unit B, Hortonwood 31, Telford, Shropshire, TF1 7GS
Tel:01952 602250 Fax:01952 602255.

Email:sales@winlock.co.uk Web:www.winlock.co.uk