

Features and Benefits



Zinc



Plastic

- ▣ Choose from 2 options, Plastic or Mazak.
- ▣ Plastic version is adaptable, fitting horizontally or vertically and comes in white or brown finishes.
- ▣ Mazak version only fits horizontally and comes in white, brown and black.
- ▣ Screw fixings are specially concealed.
- ▣ Mazak alternative is manufactured in the UK.
- ▣ BS EN ISO9001/2015 Quality Management System.

Technical Information

Material Specification

Zinc Alloy casting to BS EN 12844.
Location peg 303 st. steel.
Plastic moulding UV stable.
Black PVCu bung.

Assessment Data

Base material suitable for 240 hours
NSS BS EN 1670

Additional Information

Box Qty: 25 units

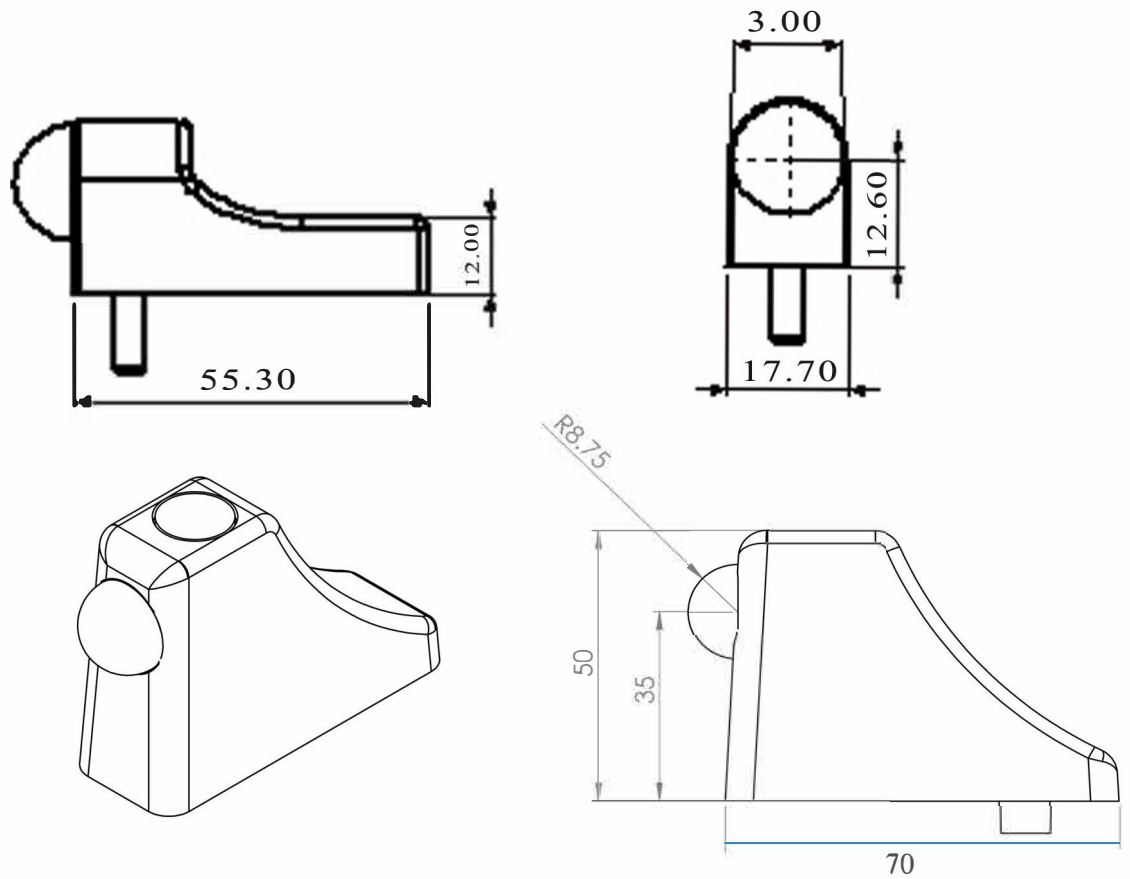
WINLOCK

Unit B, Hortonwood 31, Telford, Shropshire, TF1 7GS
Tel:01952 602250 Fax:01952 602255
Email:sales@winlock.co.uk
Web:www.winlock.co.uk



Patio Bump Stops

Technical Drawing



Part Numbers

Part No.	Description	Finish
PB21	Mazak Bump Stop	White
PB238	Mazak Bump Stop	Black
PB262	Mazak Bump Stop	RAL 9001 Cream
PB27	Mazak Bump Stop	RAL BS08B29 Brown

Part No.	Description	Finish
PB11	Plastic Bump Stop	White
PB138	Plastic Bump Stop	Black

WINLOCK

Unit B, Hortonwood 31, Telford, Shropshire, TF1 7GS
 Tel:01952 602250 Fax:01952 602255.

Email:sales@winlock.co.uk Web:www.winlock.co.uk

Window
 &
 Door
 Hardware
 Solutions