

Features and Benefits



- ▣ Auto Locking spring bolt (push to close).
- ▣ Variable bolt length to suit door thickness.
- ▣ Rotate anti clockwise to auto-unlock.
- ▣ Suitable for Timber, PVCu and Aluminium.
- ▣ Bolt 9mm diameter steel.
- ▣ Throw 19mm.
- ▣ Comprehensive range of finishes including White, Black, Bright Chrome, Gold, Satin Chrome, Brushed Stainless.
- ▣ Available in any unique RAL colour under special order.
- ▣ For maximum security, use with patented Winlock Security interlock plates.
- ▣ BS EN ISO 9001/2015 Quality Management system.
- ▣ Manufactured in the UK.

Technical Information

Material Specification

Bolt Housing: Zinc Alloy to BS12844 [ZP3]

Body: Zinc Alloy to BS12844 [ZP3]

Bolt: Steel 9mm DA BS970-220 Zinc & Trivalent passivated.

Spring: Spring Steel.

Assessment Data

Corrosion resistance - NSS 96 Hours.

BS EN 1670-1998 Grade 3.

Additional Information

Box Qty: 25, individually packed in poly bags

Interlock plates are profile related, so please contact Sales to discuss your requirements.

WINLOCK

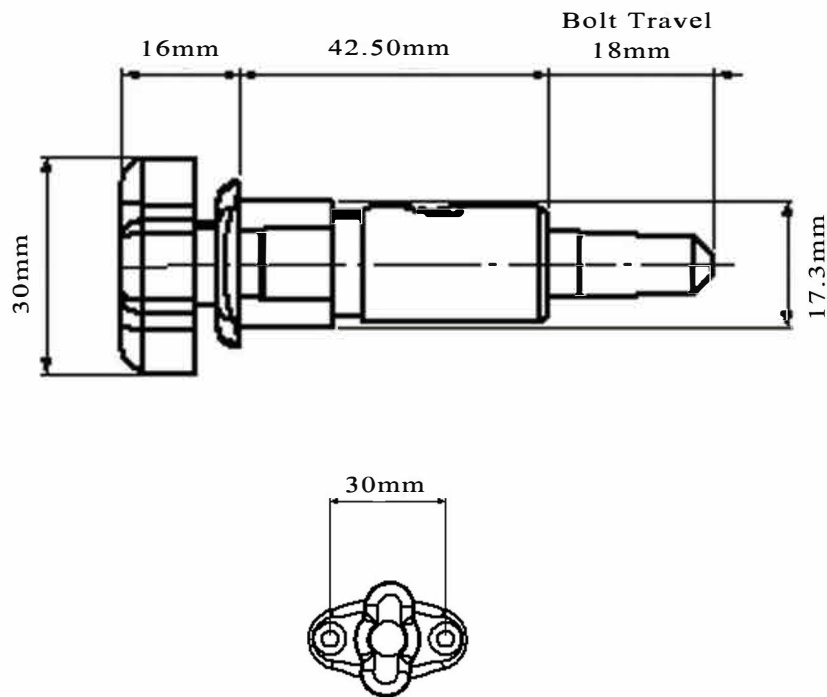
Unit B, Hortonwood 31, Telford, Shropshire TF17GS

Tel: 01952 602250 Fax: 01952 602255

Email: sales@winlock.co.uk

Web: www.winlock.co.uk

Technical Drawing



Part Numbers

Part No.	Description	Finish
2710001	Patio Door Spring Bolt	White
2710002	Patio Door Spring Bolt	Bright Chrome
27100023	Patio Door Spring Bolt	Brown RAL 8017
27100038	Patio Door Spring Bolt	Black
2710005	Patio Door Spring Bolt	Gold

Please Note: Interlock plates are profile related, so please contact the sales office to discuss your requirements.

WINLOCK

Unit B, Hortonwood 31, Telford, Shropshire, TF1 7GS
 Tel:01952 602250 Fax:01952 602255.

Email:sales@winlock.co.uk Web:www.winlock.co.uk