

Features and Benefits



- ▣ Provides security and protection.
- ▣ Suitable for Timber, Composite, Aluminium and PVCu doors.
- ▣ Aperture size: W 310mm x 78mm. Fixings not supplied.
- ▣ Comprehensive range of finishes including White, Black, Bright Chrome, Gold, Satin Chrome, Brushed Stainless Steel and unique RAL colours to order.
- ▣ BS EN ISO 9001/2015 Quality Management System.
- ▣ Manufactured in the UK.

Technical Information

Material Specification

Frame Assembly: Mild Steel to BS970-220

Additional Information

Box Qty: 50

Assessment Data

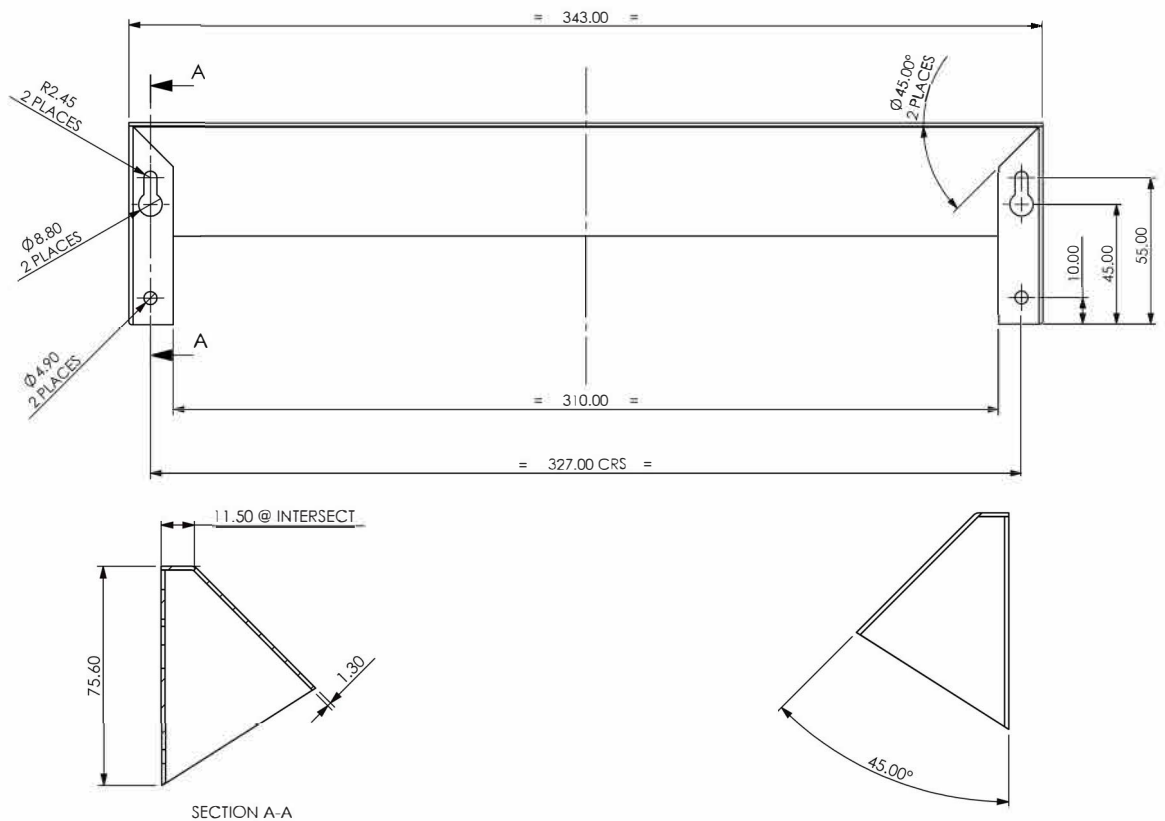
Corrosion resistance: BSEN 1670 Grade 4,
NSS 240 Hour.

WINLOCK

Unit B, Hortonwood 31, Telford, Shropshire TF17GS
Tel: 01952 602250 Fax: 01952 602255
Email: sales@winlock.co.uk
Web: www.winlock.co.uk



Technical Drawing



Part Numbers

Part No.	Description	Finish
LP-DB44212-02CWL	Letterbox Security Cowl 10" & 12" 20 - 40mm & 40 - 80mm	White
LP-DB44212-31CWL	Letterbox Security Cowl 10" & 12" 20 - 40mm & 40 - 80mm	SAA/Silver
LP-DB44212-36CWL	Letterbox Security Cowl 10" & 12" 20 - 40mm & 40 - 80mm	Dark Gold

Security Cowl

Window
&
Door
Hardware
Solutions

WINLOCK

Unit B, Hortonwood 31, Telford, Shropshire, TF1 7GS
 Tel:01952 602250 Fax:01952 602255.
 Email:sales@winlock.co.uk Web:www.winlock.co.uk