

Semicircle Door Pull

Window
&
Door
Hardware
Solutions

Features and Benefits



- ▣ Winlock Semicircle pull handle is suitable for Glass, Timber, Aluminium and Composite applications
- ▣ Supplied as standard in brushed chrome, bright chrome by special order.
- ▣ Fixing Holes 350mm, 32mm diameter.
- ▣ Fixed length.
- ▣ Supplied in 304 and 316 stainless steel.
- ▣ Universal - suitable for both left and right handed doors.
- ▣ Supplied complete with fixings for through fix or face fix options.
- ▣ 10 Year Surface Guarantee.

Technical Information

Material Specification
304 and 316 Stainless Steel

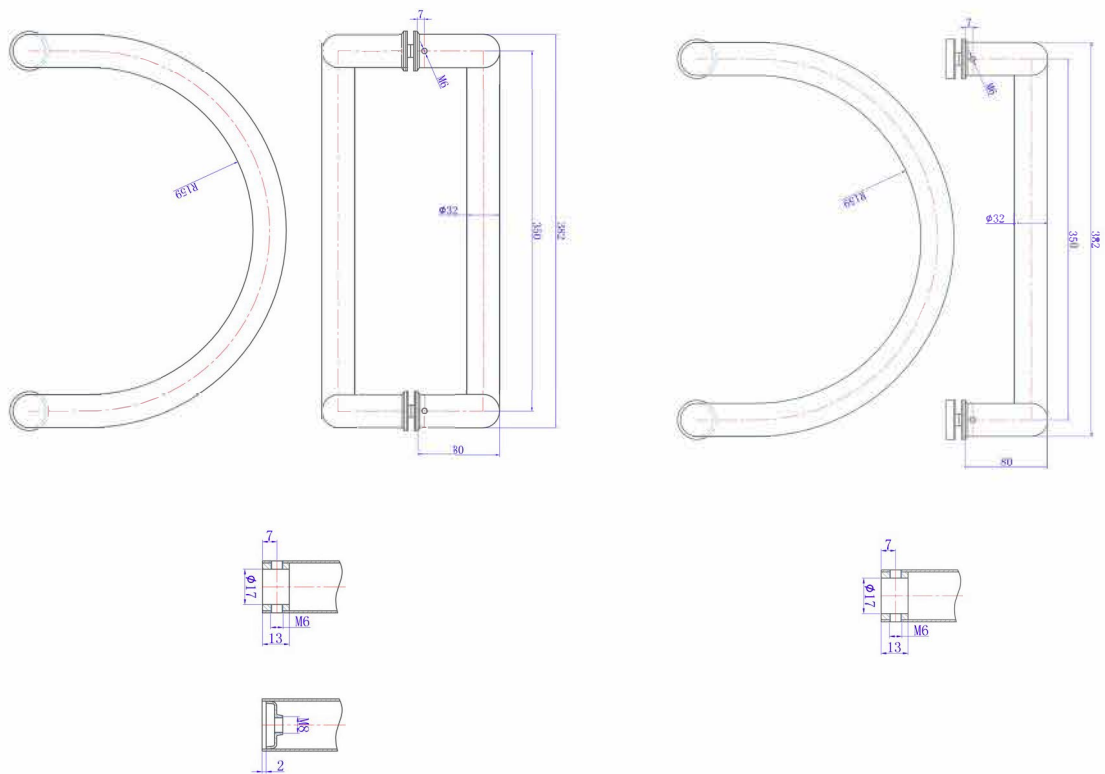
Additional Information
Box Qty: 1 pair
Supplied with fixing kits

WINLOCK

Unit B, Hortonwood 31, Telford, Shropshire, TF1 7GS
Tel:01952 602250 Fax:01952 602255.
Email:sales@winlock.co.uk Web:www.winlock.co.uk

Semicircle Door Pull

Technical Drawing



Part Numbers

HB-144/316PAIRS	Semicircle Handle Bar Pull 2 x Handles Fixing Centres 350mm Dia 32mm	Brushed Chrome 316
HB-144/316SING	Semicircle Handle Bar Pull Fixing Centres 350mm Dia 32mm	Brushed Chrome 316
HB-144PAIRS	Semicircle Handle Bar Pull 2 x Handles Fixing Centres 350mm Dia 32mm	Brushed Chrome 304
HB-144SINGLE	Semicircle Handle Bar Pull Fixing Centres 350mm Dia 32mm	Brushed Chrome 304

Window
&
Door
Hardware
Solutions

WINLOCK

Unit B, Hortonwood 31, Telford, Shropshire, TF1 7GS
Tel:01952 602250 Fax:01952 602255.

Email:sales@winlock.co.uk Web:www.winlock.co.uk