

Features and Benefits



- ▣ Stronghold PTO offers an In-line and off-set design giving extra knuckle clearance.
- ▣ Solid construction with elegant lines for real eye appeal.
- ▣ BBA Approved.
- ▣ Audible 'click to latch'.
- ▣ Separate and overriding deadlock for extra security.
- ▣ Key locking, non-locking and dummy versions to meet every specification.
- ▣ Non-locking green button option available for fire egress identification.
- ▣ BS EN ISO 9001/2015 Quality Management System.
- ▣ Comprehensive range of finishes including White, Black, Bright Chrome, Gold, Satin Chrome and unique RAL colours to order.
- ▣ Manufactured in the UK.

Technical Information

Material Specification

Handle/Backplate: Zinc Alloy to BS EN 12844 [ZP 3].

Barrel Assembly: Zinc Alloy to BS EN 12844 [ZP 3].

Zinc plate & Trivalent Passivate.

Tumbler: Mild Steel to BS1449 CS4 BR finish.

Tumbler Spring: Stainless Steel to BS2873 Pb 102.

Barrel Cap: Polypropylene.

Waved Washer: Spring Steel CS70 Hardened & Tempered - Finish Zinc plate & Trivalent.

Key: Mild Steel to BS970 220 - Finish Nickel Plate.

Operating Bolt: Zinc alloy to BSEN 12844 (ZP3)

Spindle: Mild Steel to BS 970 220 - Finish Zinc Plate & Trivalent Passivate.

Mouldings Polypropylene -

Finish White RAL 9016, Grey RAL 9037, Black RAL 9005 & Green UN6969.

Assessment Data

Performance: 50,000 endurance cycles.

Corrosion resistance: NSS 240 Hour.

Additional Information

Box Qty: 50 per box.

Handles individually packed in poly bags, accessories in bulk.

Accessories: Screw Cover and 1 Key (If applicable).

WINLOCK

Unit B, Hortonwood 31, Telford, Shropshire TF17GS

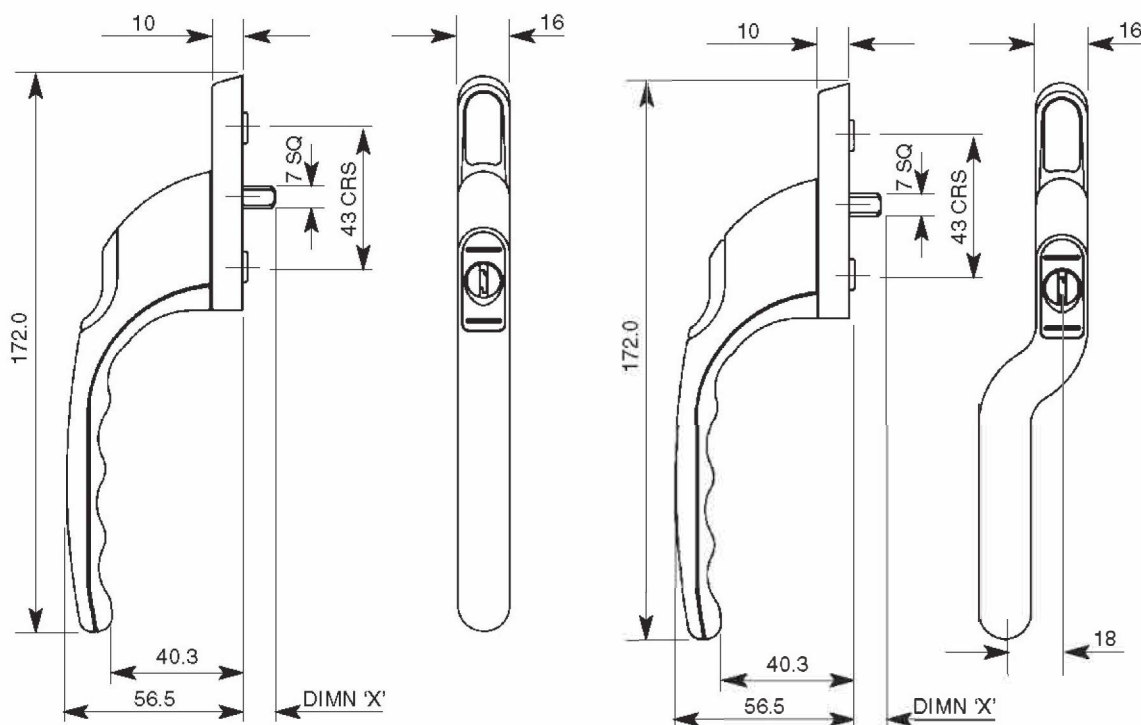
Tel: 01952 602250 Fax: 01952 602255

Email: sales@winlock.co.uk

Web: www.winlock.co.uk

MADE IN BRITAIN

Technical Drawing



Part Numbers

Part No.	Description	Finish
0139001/**	Stronghold Window Handle Inline Non locking	White
0140001/**	Stronghold Window Handle Inline Locking	White
0141011/**	Stronghold Window Handle Left Hand Non Locking	White
0141021/**	Stronghold Window Handle Left Hand Non Locking	White
0142111/**	Stronghold Window Handle Left Hand Locking	White
0142121/**	Stronghold Window Handle Right Hand Locking	White

25 Spindle Lengths: 8mm to 65mm (Dimn. 'X')

Standard Spindle Drive: 7mm square, 8mm to special order.

WINLOCK

Unit B, Hortonwood 31, Telford, Shropshire, TF1 7GS
Tel: 01952 602250 Fax: 01952 602255.

Email: sales@winlock.co.uk Web: www.winlock.co.uk