

# TM The Stronghold Patio Door Lock

## Features and Benefits



- Stronghold patio door lock is designed to achieve PAS024 door security standard.
- 6 Hook lock - Enclosing Hooks.
- Profile cylinder locking.
- Hooks in pairs for added security.
- Non handed for reduced stocking.
- Profile related one-piece keeps available.
- Mishandling device and additional Anti lift bolt, assists keep setting.
- Suitable for UPVC, Aluminium and Timber Euro-Groove applications.
- Shootbolt to head option.
- All exposed components are made of 430 stainless steel.
- BS EN ISO9001/2015 Quality Management System.

### Material Specification

Pressing: Stainless Steel 430.

Casting: Zinc Alloy to BS EN 12844.

Zinc Part: Zinc Plated & Trivalent Passivated.

### Assessment Data

Performance: Tested to 100,000 cycles.

Corrosion resistance: BS EN 1670 Grade 4 - 240 NSS.

SBD approved with leading Patio manufacture.

### Additional Information

Box Qty: 10 per box.

Accessories: Patio Keep & Patio Keep End Caps ordered separately

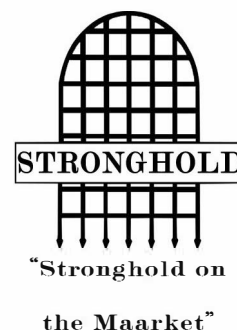
# WINLOCK

Unit B, Hortonwood 31, Telford, Shropshire TF17GS

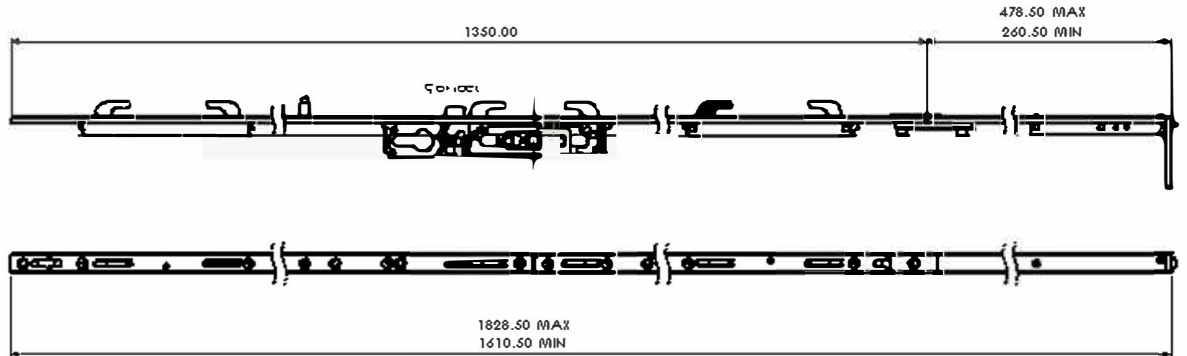
Tel: 01952 602250 Fax: 01952 602255

Email: [sales@winlock.co.uk](mailto:sales@winlock.co.uk)

Web: [www.winlock.co.uk](http://www.winlock.co.uk)



# Technical Drawing



## Part Numbers

Part No.	Description	Finish
PLH6198	Patio Door Lock 6 Hook - Bi-Closing	Stainless Steel

# WINLOCK

Unit B, Hortonwood 31, Telford, Shropshire, TF1 7GS  
 Tel:01952 602250 Fax:01952 602255.  
 Email:sales@winlock.co.uk Web:www.winlock.co.uk