

Features and Benefits



- ☐ The Stronghold range of Tilt & Turn handles conquer both the domestic and commercial markets.
- ☐ Madeley turn first handle includes a comfort grip. It also retains four stop positions and locks in the closed position to meet domestic insurance requirements.
- ☐ Madeley opens with 180° key rotation, perfect for Tilt and Turn requirements.
- ☐ Dawley tilt first handle features the same style as its sister handle the Madeley. It locks in the closed position, having a key controlled access to the unique Winlock Tilt/Lock mechanism, which, for safety reasons, restricts sash movement beyond tilt. Further operation of the key permits opening to turn.
- ☐ BBA Accredited.
- ☐ Available in locking and non-locking variants.
- ☐ Comprehensive range of finishes including White, Black, Bright Chrome, Gold, Satin Chrome, Brushed Stainless Steel. Unique RAL colours to order.
- ☐ BS EN ISO 9001/2015 Quality Management System. ☐ Manufactured in the UK.

Technical Information

Material Specification

Handle/Backplate: Zinc Alloy to BS EN 12844 [ZP3].

Barrel Assembly: Zinc Alloy to BS EN 12844 [ZP3].

Zinc plate & Trivalent Passivate.

Key: Mild Steel to BS970 220 - Finish Nickel Plate.

Spindle: Mild Steel to BS 970 220 - Finish Zinc Plate & Trivalent Passivate.

Moulding Polypropylene -

Finish White RAL 9016, Grey RAL 9037,

Black RAL 9005 & Green UN6969.

Assessment Data

Performance: 50,000 endurance cycles.

Corrosion resistance: NSS 240 Hour.

Additional Information

Box Qty: 25 per box.

Accessories: Screw Cover and 1 Key (If applicable).

Spindle lengths available 8mm - 75mm.

WINLOCK

Unit B, Hortonwood 31, Telford, Shropshire TF17GS

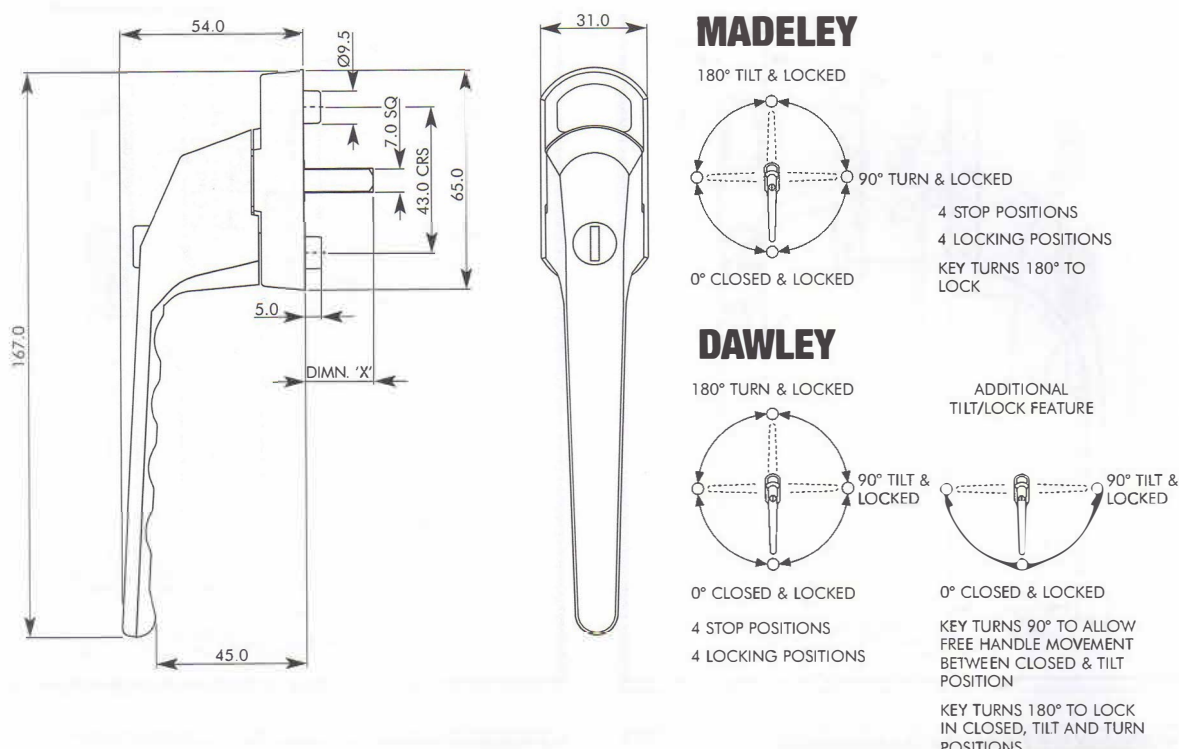
Tel: 01952 602250 Fax: 01952 602255

Email: sales@winlock.co.uk

Web: www.winlock.co.uk

MADE IN BRITAIN

Technical Drawing



Part Numbers

Part No.	Description	Finish
0125001/**	Madeley Tilt and Turn Handle Non-Locking	White
0126001/**	Madeley Tilt and Turn Handle Locking	White
0125002/**	Madeley Tilt and Turn Handle Non-Locking	Bright Chrome
0126002/**	Madeley Tilt and Turn Handle Locking	Bright Chrome
Part No.	Description	Finish
0128001/**	Dawley Tilt Before Turn Handle Locking	White
0128002/**	Dawley Tilt Before Turn Handle Locking	Bright Chrome

Standard Spindle Length: 20mm to 65mm (Dimn. 'X')

Standard Spindle Drive: 7mm square. *mm to Special order.

WINLOCK

Unit B, Hortonwood 31, Telford, Shropshire, TF1 7GS
Tel: 01952 602250 Fax: 01952 602255.

Email: sales@winlock.co.uk Web: www.winlock.co.uk