

Features and Benefits



- ▣ Suitable for Timber, Steel, Aluminium or PVCu profiles.
- ▣ BBA accredited.
- ▣ Available in 9mm, 10.5mm, 13mm, 17mm & 21mm spur backset.
- ▣ Engineered with a firm grip.
- ▣ Available in Locking and Non-locking variants.
- ▣ Comprehensive range of finishes including White, Black, Bright Chrome, Gold, Satin Chrome, Brushed Stainless Steel and unique RAL colours to order.
- ▣ BS EN ISO 9001/2015 Quality Management System. ▣ Manufactured in the UK.

Technical Information

Material Specification

Handle/Backplate: Zinc Alloy to BS EN 12844 [ZP3]

Barrel Assembly: Zinc Alloy to BS EN 12844 [ZP3]

Zinc Plate & Trivalent Passivate.

Key: Mild Steel to BS970 220 - Finish Nickel Plate.

Moulding Polypropylene - Finish White RAL 9016, Grey RAL 9037, Black RAL 9005 & Green UN6969.

Additional Information

Box Qty: 25 per box.

Accessories: Screw Cover and 1 Key (If applicable).

Assessment Data

Performance: 50,000 endurance cycles.

Corrosion resistance: NSS 240 Hour.

WINLOCK

Unit B, Hortonwood 31, Telford, Shropshire TF17GS

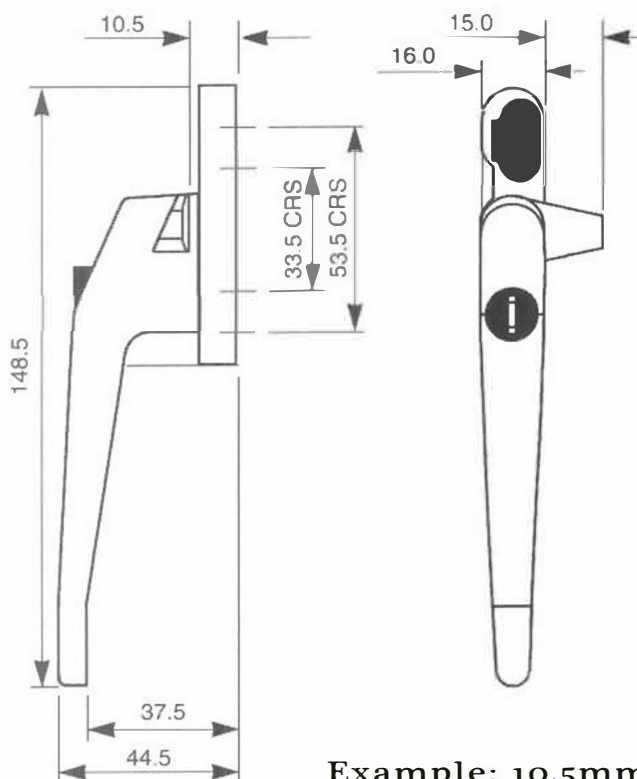
Tel: 01952 602250 Fax: 01952 602255

Email: sales@winlock.co.uk

Web: www.winlock.co.uk



Technical Drawing



Example: 10.5mm Cockspur

Part Numbers

Single Cockspur 10.5mm			
Part No.	Security	Handing	Finish
0101011	Non-Locking	L/H	White
0101021		R/H	
0102111	Locking Budget	L/H	White
0102121		R/H	
0102011	Locking Cylindr	L/H	White
0102021		R/H	

Single Cockspur 21mm			
Part No.	Security	Handing	Finish
0111011	Non-Locking	L/H	White
0111021		R/H	
0112111	Locking Budget	L/H	White
0112121		R/H	
0112011	Locking Cylindr	L/H	White
0112021		R/H	

Also available in 13mm & 17mm backset.



Unit B, Hortonwood 31, Telford, Shropshire TF17GS
 Tel: 01952 602250 Fax: 01952 602255
 Email: sales@winlock.co.uk
 Web: www.winlock.co.uk